

NaviSound 215

- Portable, highly compact, lightweight unit
- Easily configured frequency selection
- Multiple bottom digitizing with single frequency for sediment and vegetation surveys
- High-performance, easy to operate, and very reliable

RESON's NaviSound 215 sounder is a highly portable, singlebeam echosounders that offer a range of high-performance features.

NaviSound 215 echosounders provide reliable depth measurements in a convenient, easy-to-operate unit. Advanced features include multiple bottom digitizing with a single frequency for sediment and vegetation surveys. Besides its compact size and low weight, the NaviSound 215 enclosure provides the highest possible water resistance.

The NaviSound 215 is an enhanced singlebeam echosounder that uses one receiver channel to operate two transducers in true real-time, alternating frequency operations



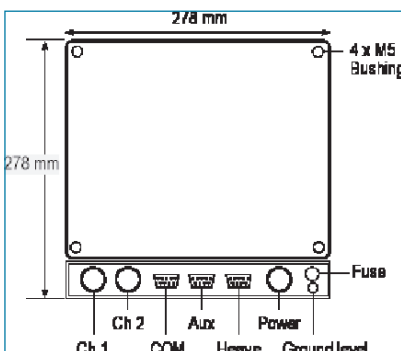
TECHNICAL DETAILS

| | |
|------------------------|--|
| Frequencies: | Standard 28-35 and 190-225kHz |
| Impedance: | 1000ohm |
| Max. power: | 300W |
| Power control: | Manual or automatic |
| Pulse length: | Manual, 5 steps |
| Units: | Meters & feet |
| Resolution: | 1cm |
| Accuracy: | 1cm at 210kHz (1 sigma), 7cm at 33kHz (1 sigma) (assuming correct sound velocity, transducer draft) |
| TVC detection level: | 20Log (depth) |
| Additional feature: | Built-in barcheck utility |
| Sound velocity | 1350 - 1600m/sec in 1m/sec step |
| Calibration: | |
| Transducer draft comp: | 0 - 99.99m |
| Graphics: | 11cm wide thermal |
| Recording: | paper recorder |
| Resolution: | 800 pixels (gray shades) |
| Transfer speed: | 20 lines/sec |
| Temperature: | Operating: 0°C - 45°C Storage: -10°C - 70°C |
| Serial interfaces: | 1: Communication 2: Heave input 3: Auxiliary input (DGPS) 4: Repeater output |
| Dimensions: | 273 x 278 x 115mm (11 x 11 x 4.5in.) |
| Weight: | 5.5kg (12lbs) |
| Supply voltage: | 10 - 28VDC (external AC converter available) |
| EMC radio noise: | CE approved |

OVERVIEW

| | |
|---------------------------|----------|
| Output resolution: | 1 cm |
| Depth Range: | 0.2-600m |
| Channels/Transducers: | 1/2 |
| Max. sounding rate (PRF): | 20/10Hz |
| Heave input: | √ |
| NMEA output: | √ |
| DESOxx output protocol: | √ |
| Supports SLS option: | √ |
| AC Converter Option: | √ |

Scope of delivery: NaviSound 200 Series User's Manual, DC power cable, RS-232C communication cable for PC, spare paper, transducer connector(s), and fuses & thermal head cleaning kit.



RESON reserves the right to change specifications without notice. © 2006 RESON A/S
For Acoustical Measurement Accuracy please refer to www.reson.com or contact sales.

RESON A/S
Denmark
Tel: +45 4738 0022
E-mail: reson@reson.com

RESON Inc.
USA
Tel: +1 805 964-6260
E-mail: sales@reson.com

RESON Offshore Ltd.
United Kingdom
Tel: +44 1224 709 900
E-mail: sales@reson.co.uk

RESON GmbH
Germany
Tel: +49 431 720 7180
E-mail: reson@reson-gmbh.de

RESON B.V.
The Netherlands
Tel: +31 (0) 10 245 1500
E-mail: info@reson.nl

RESON (Pte.) Ltd.
Singapore
Tel: +65 6725 9851
E-mail: sales@reson.com